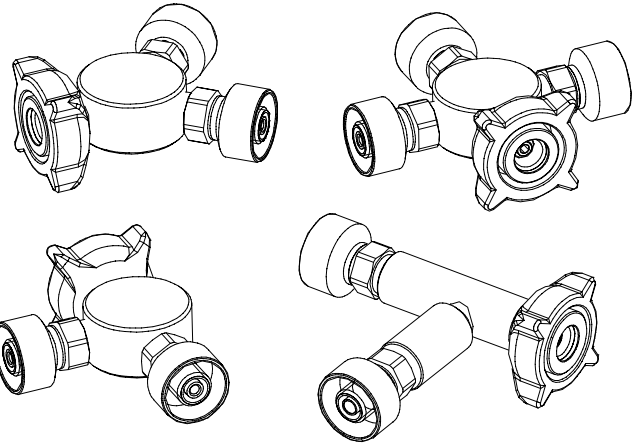


# MEDICAL GAS ADAPTORS

Gascon Systems can offer a full range of medical gas adaptor. These can be either 3 way (ie. 1 inlet and 2 outlets) or 4 way (1 inlet and 3 outlets). Three way adaptors (except suction and scavenge) can be in either a "T" or "Y" orientation. All the adaptors have a colour coded sleeved indexed inlet handwheel and self sealing sleeve indexed outlets.



## ORDERING INFORMATION

PART No			GAS
<b>G0187</b>	Adaptor, 3 Way "T"	AIR	Breathing Air
<b>G0188</b>	Adaptor, 3 Way "Y"	CARB	Carbogen
<b>G0189</b>	Adaptor, 4 Way "X"	CO2	Carbon Dioxide
		ENT	Entonox
		N2O	Nitrous Oxide
		OXY	Oxygen
		SURG	Surgical/Turbine Tools

Part No	Description
<b>G0163</b>	Adaptor, Suction 3 Way "T"
<b>G0190</b>	Adaptor, Scavenge 3 Way "T"

**Ordering Example**    G0188-OXY    3 Way Oxygen "Y" Adaptor